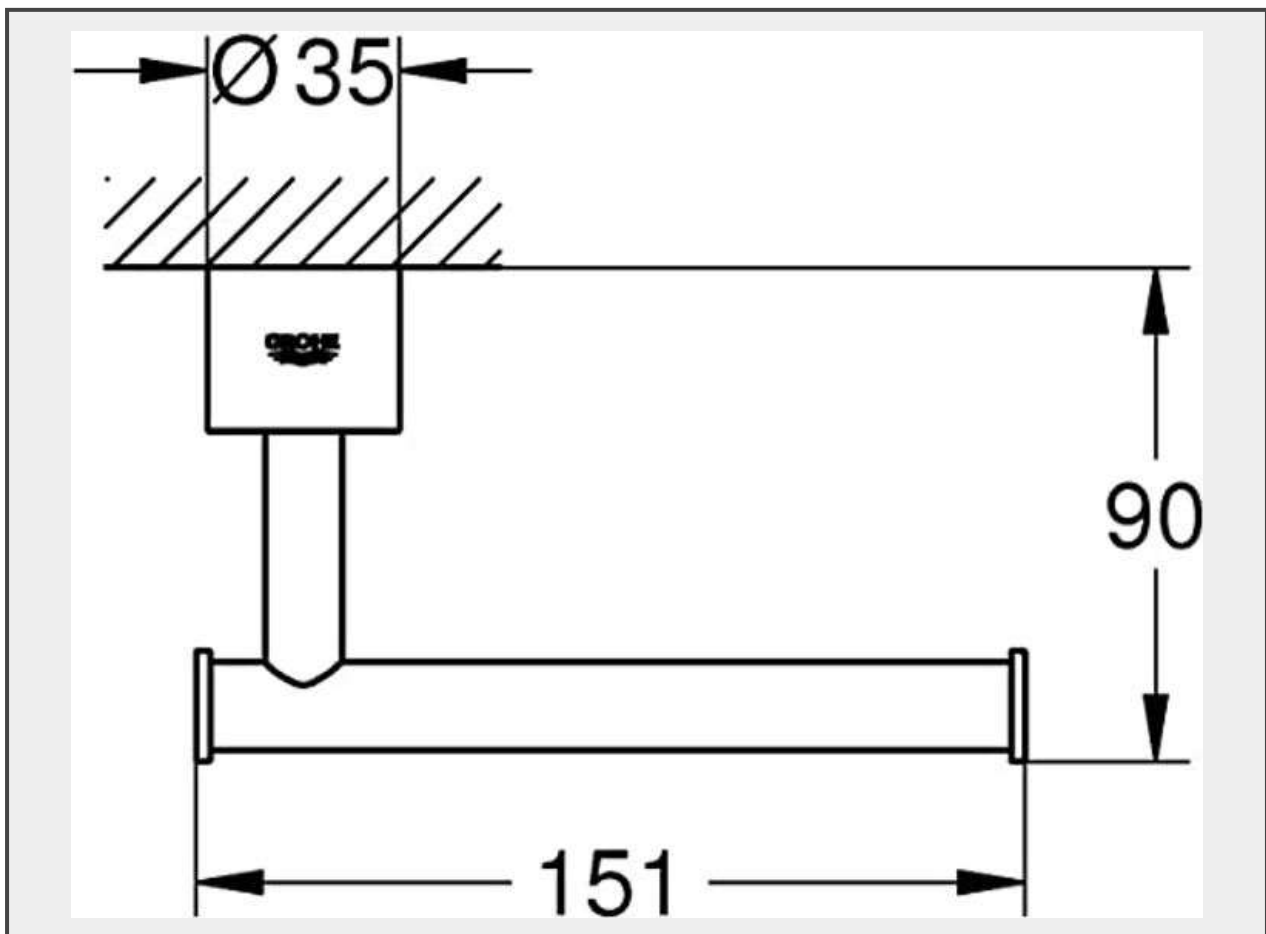


Sale Name: Building Materials, Bloomsburg, PA Monday, May 22, 2023

LOT 653 - Atrio Toilet Paper Holder



Sold By Piece

Sub Category Hardware

Weight (LBS) 2 lbs.

Inventory # 5011-40313003

Warranty This is a liquidated product. Any pre-existing retail, wholesale or manufacturer warranties will not transfer with the sale of this Product unless expressly stated otherwise.

Description

By Grohe, W/O Cover, New Grade

This is a liquidated product. Any pre-existing retail, wholesale or manufacturer warranties will not transfer with the sale of this Product unless expressly stated otherwise.

Quantity: 1



<https://www.laibids.com/>